

> Immersion temperature sensors

Sensors - water



Characteristics

- protected against (building site) contamination
- housing can be opened and closed with a bayonet screw
- easy installation with immersion pocket
- with active or passive output

Usage

The sensors measure the temperature of water and can be used, among other places, in climate systems and building control systems.

Easy installation with immersion pocket

The sensor is mounted with an immersion pocket directly in the wall of, for instance, a water duct. No screws or tools are required for installation. The sensor is supplied with immersion pocket.

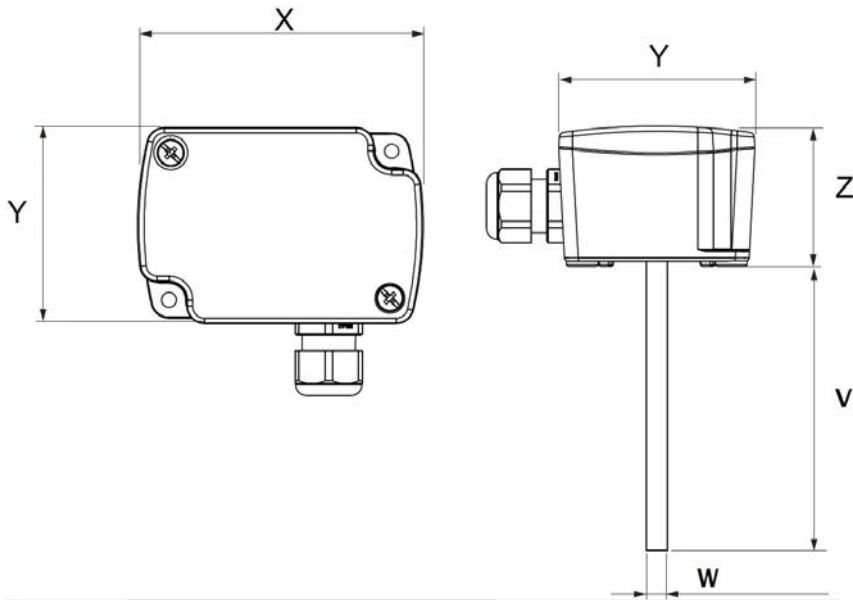
Various versions

Versions are available with active or passive outputs. The passive output versions are available with an NTC10K or an Ni1000TK5000 sensor. It is preferable to use a NTC10K sensor. The Ni1000TK5000 sensor is only available for existing projects to replace another Ni1000TK5000 sensor.

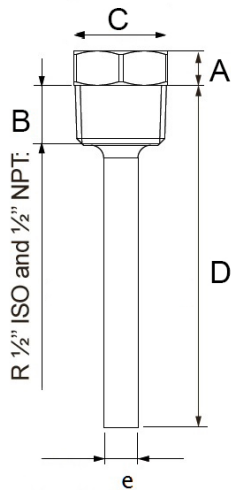
Specifications

General			
Article description	Immersion temperature sensor 65 mm 0-10V	Immersion temperature sensor 65 mm NTC10K	Immersion temperature sensor 65 mm Ni1000TK5000 ¹
Article number	111253	111272	111273
Type of output	active	passive	passive
Sensor type	-	NTC10K	Ni1000TK5000 DIN B
Dimensions (XYZ)	80.8 x 55.3 x 49 mm		
Dimensions probe (VW)	150 mm x Ø 6 mm		
Dimensions immersion well	8 +14 x 22 mm (ABC) 135 mm x Ø 8 mm (DE)		
Dimensions of mounting plate	49.6 x 70.6 mm		
Weight	300 grams		
Mounting / positioning	mounting bracket		
Housing material	polycarbonate, UL94-V0 approved		
Mounting plate material	stainless steel		
Immersion pocket material	brass (nickel-plated)		
Nominal pressure	PN 15 bar (218 psi)		
Permissible inflow speed	26 m/s		
Cable glands	M16x1.5, UL94-V2		
IP code	IP65 NEMA 4		
Insulation resistance	> 100 MΩ at 20°C		
Response time T ₆₃	< 30 s, immersion sensor in liquid water		
Storage temperature	-30 ... 70 °C		
Storage and operational air humidity	5 ... 95 % (non-condensing)		

¹ Only available for replacing another Ni1000TK5000 sensor.




Temperature sensor



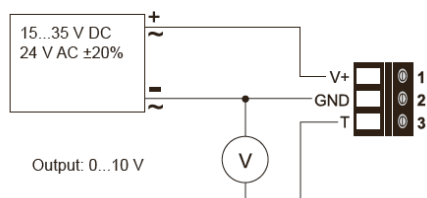
Immersion well

Active output		111253
Output signal		0-10 V (-1 mA < I _L < 1 mA)
Measurement range		-30 ... 70 °C

Passive output		111272	111273
Sensor type		NTC10K	Ni1000TK5000 DIN B
Nominal resistance		R ₀₂₅ : 10 kΩ ± 0.5%	R ₀ : 1000 Ω
Sensitivity		B _{25/85} 3989 K (B _{25/50} : 3950 K ± 1.0%)	TC: 5000 ppm/K
Standard		-	DIN 43760
Measurement range		-40 ... 110 °C	-40 ... 150 °C
Used power		typ. < 1 mA	
Temperature sensor connection		two-wire	
Electrical connection		screw connector, 2x max 2.5 mm ²	

Regulations and standards		
Europe		<ul style="list-style-type: none"> EN61326-1 EN61326-2-3
USA / Canada		FCC Part15 Class B ICES-003 Class 3

Wiring diagram



Active output



Passive output

Europe Office:
Priva
Zijlweg 3
P.O. Box 18
2678 ZG
De Lier
The Netherlands
www.priva.com
sales.building@priva.nl

UK Office:
Priva UK Ltd.
34 Clarendon Road

Watford WD17 1JJ
United Kingdom
www.priva.co.uk
sales@priva.co.uk

Canada Office:
Priva North America Inc.
3468 South Service Road
Vineland Station

Ontario LOR 2E0
Canada
www.priva.ca
contact.priva@priva.ca

Your Priva partner: