

## > Motion detector

### Sensors - Presence detection



#### Characteristics

- occupancy sensor for ceiling installation
- 360° detection angle with a range of up to 8 metres
- ready for use with factory program
- functions can be adjusted by remote control
- easy installation
- very sensitive detection

#### Usage

The occupancy sensor for ceiling installation detects the presence and movements of people in a room and switches the lighting on. The sensor is sensitive and can detect even small movements.

Thanks to its 360° detection angle and range of up to 8 metres, the sensor is also suitable for larger rooms.

#### Operation

The passive sensors in the occupancy sensor detect the presence of people using infrared energy. A person in the room will emit infrared energy (heat). If the person moves, the sensors measure differences in infrared energy and thus determine that there is movement in the room. The occupancy sensor will then switch the lighting channel on for an adjustable period of time based on the set light value.

#### Easy installation

The occupancy sensor can be easily installed with the supplied spring clamps or clamping ring. Thanks to its compact size and long connecting cable, the occupancy sensor can be installed in suspended ceilings.

#### Factory program and settings

The occupancy sensor is equipped with a factory program and is ready for use immediately after being installed. The occupancy sensor will then work on the basis of preset values. The functions of the occupancy sensor can subsequently be individually customised using an infrared remote control.

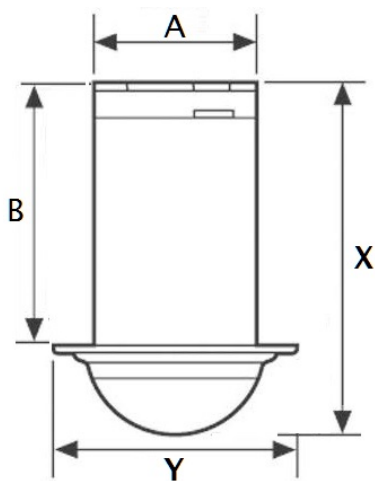
Adjustable settings include:

- the run on time for switching the lighting off when presence is no longer detected
- the light level below which lighting will be switched on if presence is detected

The remote control is not supplied as standard, but can be ordered separately.

## Specifications

General	
Article description	Motion detector with 360° field of detection
Article number	111291
Colour of lens mask	opal mat
Total dimensions (XY)	60 x diam. 30 mm visible part: 15 x diam. 30 mm
Weight	69 grams
Detection angle	360°
Range	Diam. approx. 8 m, at an installation height of 3 m to 5 m
Recommended installation height	3 m
Installation	recessed ceiling mounting with clamping ring
Inbuilt dimensions (AB)	installation depth: 45 mm installation aperture diam.25 mm
Material	UV stabilised PE UV stabilised polycarbonate
Supply cable	60 cm, 4 x 1.00 mm <sup>2</sup>
Connector type	spring clamp
Energy consumption	< 0.3 W
Slave input	no
Interface	switching dimming
Switching power channel 1	12 ... 36 VAC 12 ... 36 VDC
Pulse generator input	yes
Run on time	adjustable: pulse, 1 ...60 minutes default setting: pulse
Light measurement	mixed light
Light value	adjustable: 5 ... 2000 lux default setting: 2000 lux
Switch-on delay	0 s
Switch-off delay	300 s
Operating voltage	12 ... 36 VAC 12 ... 36 VDC
Switching output	potential-free, software-controlled normally closed/normally open contact
Switching output	0 - 10 VDC (20 mA)



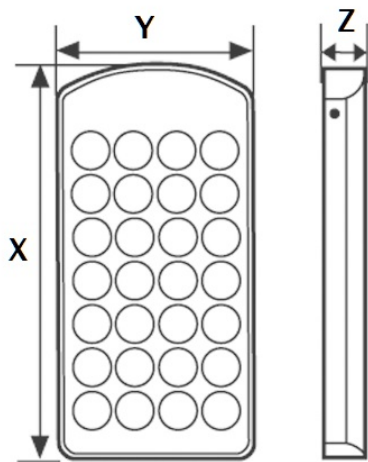
Housing	
IP code	IP55
Protection class	III

Environment	
Permissible ambient temperature	0 ... 50 °C
Permitted ambient relative humidity	5 ... 93% (non-condensing)

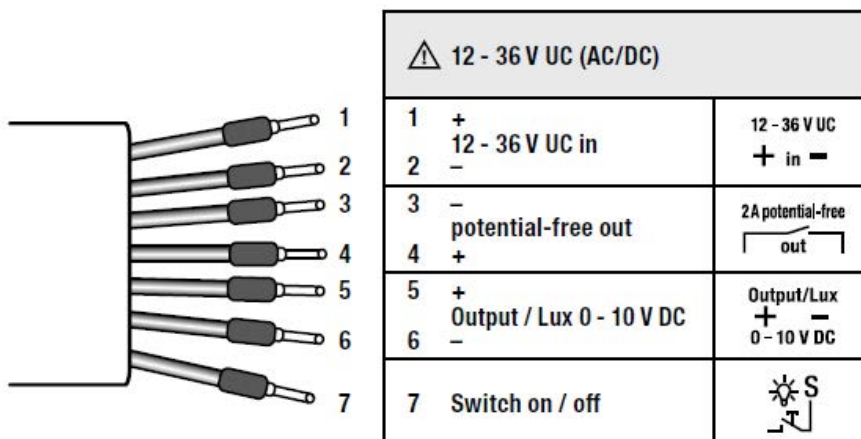
Accessories	
Remote control (infrared)	for operating and adjusting settings. Ordered separately (article number 111292)

## Remote controller specifications

General	
Module article description	Remote control for motion detector
Article number	111292
Dimensions (XYZ)	100 x 50 x 9 mm
Weight	69 grams
Operating principle	infrared
Range	cloudy/dark: approx. 5 - 8 m direct sunlight: approx. 2 - 3 m
Battery (supplied)	CR 2032, lithium 3 V



## Wiring diagram



Europe Office:  
Priva  
Zijlweg 3  
P.O. Box 18  
2678 ZG  
De Lier  
The Netherlands  
[www.priva.com](http://www.priva.com)  
[sales.building@priva.nl](mailto:sales.building@priva.nl)

UK Office:  
Priva UK Ltd.  
34 Clarendon Road  
  
Watford WD17 1JJ  
United Kingdom  
[www.priva.co.uk](http://www.priva.co.uk)  
[sales@priva.co.uk](mailto:sales@priva.co.uk)

Canada Office:  
Priva North America Inc.  
3468 South Service Road  
Vineland Station  
  
Ontario LOR 2E0  
Canada  
[www.priva.ca](http://www.priva.ca)  
[contact.priva@priva.ca](mailto:contact.priva@priva.ca)

Your Priva partner: