

> Temperature and humidity sensors

Sensors - air handling



Characteristics

- measurement of relative air humidity and temperature
- for measurements in rooms or air ducts
- VAC or VDC supply voltage
- sensor with protective membrane filter
- robust housing
- maintenance-free

Usage

Depending on the version, the sensor measures relative air humidity and temperature. The sensor has been specifically designed for use in air treatment systems. Versions are available for measurements in a room or in an air duct.

Sensor

The probe has a high-quality measuring sensor that is covered by a membrane filter. The membrane filter extends the service life, improves the measurement results and also improves the long-term stability of the measurements in dusty or dirty environments.

Installation

The version for measurements in a room is mounted on a wall. The version for measurements in an air duct is mounted with a flange and rubber seal on the probe in the air duct.

The plastic housing and IP65 rating protect the electronics from environmental influences.

Maintenance-free

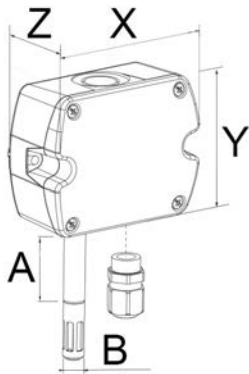
The sensor does not need to be adjusted or periodically calibrated. In combination with its robust housing, this means that the sensor does not require any maintenance.

Specifications

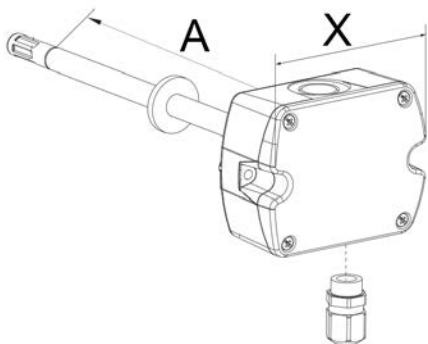
General		
Article description	Wall mounted sensor T+ RH 0-10V	Duct sensor T+ RH 150 mm 0-10V
Article number	111245	111251
Dimensions (XYZ)	101 x 80.6 x 46 mm	
Weight	146 g	196 g
Dimensions of probe	55 x diam. 12 mm	205 x diam. 12 mm
Material	polycarbonate (UL94V-0 approved)	
IP code	IP65 NEMA 4	
Electrical connection	screw connectors, max. 1.5 mm ²	
Cable gland	M16 x 1.5	
Supply voltage	15 ... 35 VDC 24 ± 20% VAC	
Typical power consumption	with VDC power supply: 5 mA with VAC power supply: 13 mA _{eff}	
Output signal	0 ... 10 VDC (-1 < I _L < 1 mA)	
Permissible temperature of the housing during use	-40 ... 60 °C	
Permissible temperature during storage	-20 ... 60 °C	

Relative humidity	
Sensor type	Relative humidity sensor with membrane filter
Measurement range	0 ... 100% relative air humidity
Accuracy	± 2.5% (at 20 °C)
Temperature dependency	± 0.03% / °C


Temperature	
Measurement range	-20 ... 80 °C
Accuracy	± 0.3°C (at 20°C)



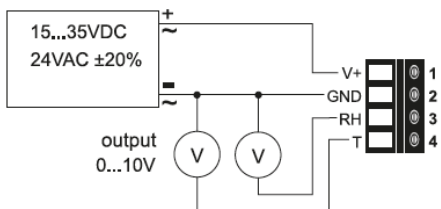
Wall mounted sensor T+ RH 0-10V



Duct sensor T+ RH 150 mm 0-10V

Regulations and standards		
Europe		EMC • EN61326-1 • EN61326-2-3

Wiring diagram



Europe Office:
Priva
Zijlweg 3
P.O. Box 18
2678 ZG
De Lier
The Netherlands
www.priva.com
sales.building@priva.nl

UK Office:
Priva UK Ltd.
34 Clarendon Road

Watford WD17 1JJ
United Kingdom
www.priva.co.uk
sales@priva.co.uk

Canada Office:
Priva North America Inc.
3468 South Service Road
Vineland Station

Ontario LOR 2E0
Canada
www.priva.ca
contact.priva@priva.ca

Your Priva partner: